

Digital Power Amp Module PM-162d

Owner's Manual

Thank you for purchasing the PM-162d Digital Power Amp Module. In order to use the product in a safe manner, please read this Owner's Manual thoroughly before using. Also, keep this manual for future reference. The PM-162d is designed for installation and use in the DPA-M1600.

● PM-162d HT/BI



Safety Instructions

14. Refer all servicing to qualified service personnel. Servicing is required when the apparatus has been damaged in any way, such as power-supply cord or plug is damaged, liquid has been spilled or objects have fallen into the apparatus has been exposed to rain or moisture, does not operated normally, or has been dropped.

THE MODULE IS NOT WATERPROOFS, TO PREVENT FIRE OR SHOCK HAZARD, DO NOT EXPOSE THIS APPLIANCE TO RAIN OR MOISTURE AND DO NOT PUT ANY WATER SOURCE ON THIS MODULE, SUCH AS VASE, FLOWER POT, COSMETICS CONTAINER AND MEDICINE BOTTLE ETC.

IMPORTANT NOTICE

If this product is found to be the source of interference, which can be determined by turning the unit "OFF" and "NO", please try to eliminate the problem by using one of the following measures : Relocate either this product or the device that is being affected by the interference. Utilize power outlets that are on different branch (circuit breaker or fuse) circuits or install AC line filter/s. In the case of radio or TV interference, relocate/reorient the antenna. If the antenna lead-in is 300 ohm ribbon lead, change the lead-in to coaxial type cable. If these corrective measures do not produce satisfactory results, please contact the local retailer authorized to distribute this type of product. If you can not locate the appropriate retailer, please contact Flying Mole Corporation.

Special attention to Transporting This Module

- This module is not designed to be transported when installed in the DPA-M1600. Make sure each module is removed from the DPA-M1600 and packed individually before transporting.
- As repair involves servicing individual amp modules, please keep the packaging materials.

2 Features

- * Each ultra-light unit weighs approximately 1.4kg. (3.08lbs)
- * Outstanding power conversion produces a total efficiency of 85% means low heat generation.
- * Ultra-low power consumption is 1/6th of analog amplifiers: 2ch 45W (when operating at 1/8 rated output at 8Ω).

1 Safety Instructions



CAUTION
RISK OF ELECTRIC SHOCK
DO NOT OPEN



CAUTION : TO REDUCE THE RISK OF ELECTRIC SHOCK, DO NOT REMOVE COVER (OR BACK). NO USER-SERVICEABLE PARTS INSIDE. REFER SERVICING TO QUALIFIED SERVICE PERSONNEL.



THIS SYMBOL INDICATES THAT DANGEROUS VOLTAGE CONSTITUTING A RISK OF ELECTRIC SHOCK IS PRESENT WITHIN THIS UNIT.



THIS SYMBOL INDICATES THAT THERE ARE IMPORTANT OPERATING AND MAINTENANCE INSTRUCTIONS IN THE OWNER'S MANUAL WITH THIS UNIT.

WARNING : To reduce the risk of fire or electric shock, do not expose this apparatus to rain or moisture.

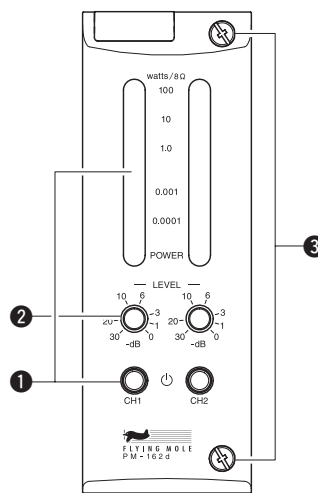
The important safety instructions

1. Read these instructions.
2. Keep these instructions.
3. Heed all warnings.
4. Follow all instructions.
5. Do not use this apparatus near water.
6. Clean only with dry cloth.
7. Do not block any ventilation openings. Install in accordance with the manufacturer's instructions.
8. Do not install near any heat sources such as radiators, heat registers, stoves, or other apparatus (including amplifiers) that produce heat.
9. Do not defeat the safety purpose of the polarized or grounding-type plug. A polarized plug has two blades with one wider than the other. A grounding type plug has two blades and a third grounding prong. The wide blade or the third prong are provided for your safety. If the provided plug does not fit into your outlet, consult an electrician for replacement of the obsolete outlet.
10. Protect the power cable from being walked on or pinched particularly at plugs, convenience receptacles, and the point where exit from the apparatus.
11. Only use attachments/accessories specified by the manufacturer.
12. Use only with the cart, stand, tripod, bracket, or table specified by the manufacturer, or sold with the apparatus. When a cart is used, use caution when moving the cart/apparatus combination to avoid injury from tip-over.
13. Unplug this apparatus during lightning storms or when unused for long periods of time.



3 Component Names and Functions

Front Panel



1 Power Switch/POWER Indicator/LEVEL Meters

This switch is used to turn the Power of this module ON/OFF. The POWER indicator lights when the power is turned ON. The LEVEL meters light according to the output level.

2 INPUT LEVEL Controller

This knob is used to control the input signal level. The level can be adjusted from 0dB to -30dB. (This level should normally be set to "0dB" and the volume control on the preamplifier, etc., that is connected to the amplifier should be used to control volume.)

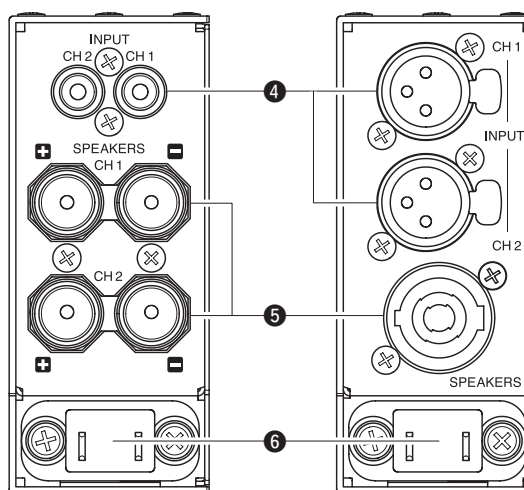
3 Fastening Screw

This screw is used to secure the unit after it is installed in the DPA-M1600.

Rear Panel

● HT Type

● BI Type



4 INPUT Jacks

These jacks are used to supply the amplifier with the input signal. Connect these jacks to the PRE OUT jacks on a pre-amplifier, etc. The XLR (balanced) input wiring on the BI type is; 1: GND, 2: HOT, 3: COLD.

5 SPEAKER Connections

These are the amplifier's speaker outputs. Connect the jack/terminals to speakers. Make sure that the impedance of the speaker connected to the jack is 4Ω or more.

6 AC Power Connector

This is the unit's AC power connector. AC power is supplied via the DPA-M1600's.

4 Connections

■ Installing the Unit

Align the rails on the top and bottom of the amp module with the grooves on the DPA-M1600 chassis and slowly slide the module fully into the chassis. Firmly fasten the screws on the upper and lower right sides of the module's front to fasten the module in place.

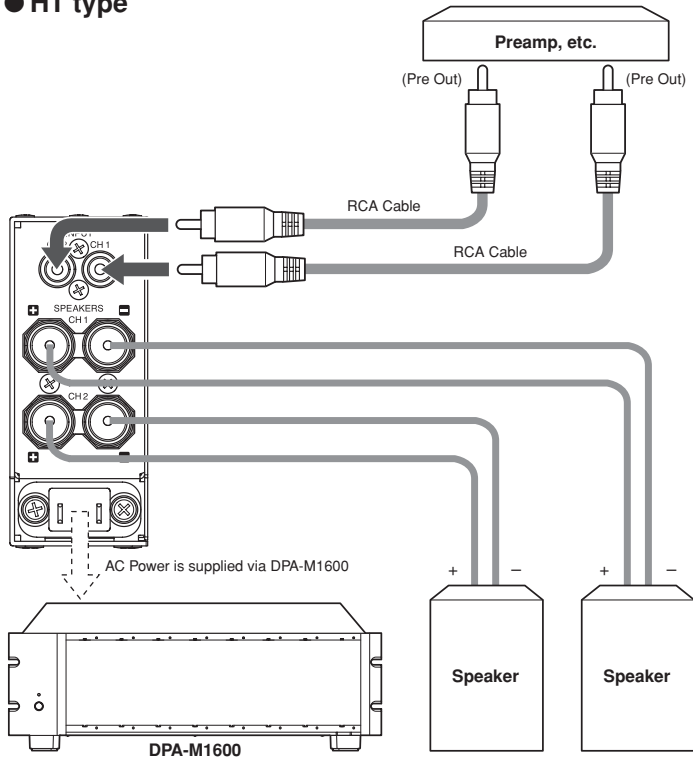
- Make sure the Power Switch of DPA-M1600 is turned OFF, when wiring and checking polarities.
- When connecting the speaker cables, make sure that the cables are securely separated between positive and negative wires.
- Connect the DPA-M1600's power cable after all other connections are complete.
- Jack names may differ according to the equipment being used. Please refer to the Owner's Manual that came with the device in question.

*1 The XLR (balanced) input wiring on the BI type is; 1: GND, 2: HOT, 3: COLD.

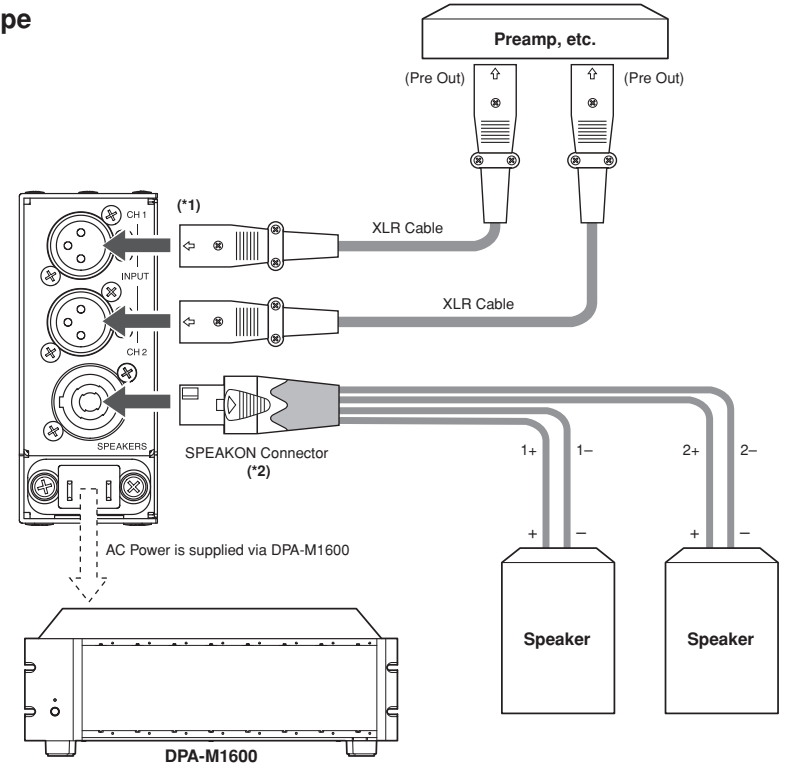
Recommended Connector: NEUTRIK NC3MX or similar.

*2 **Recommended Connector:** NEUTRIK NL4FX or similar.

● HT type



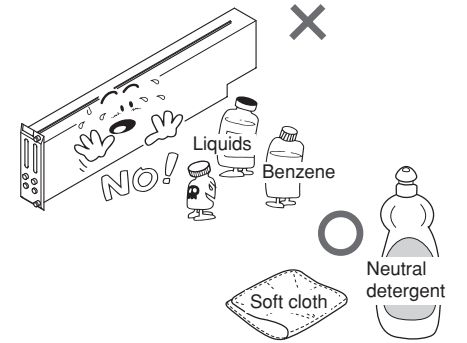
● BI type



5 Maintenance

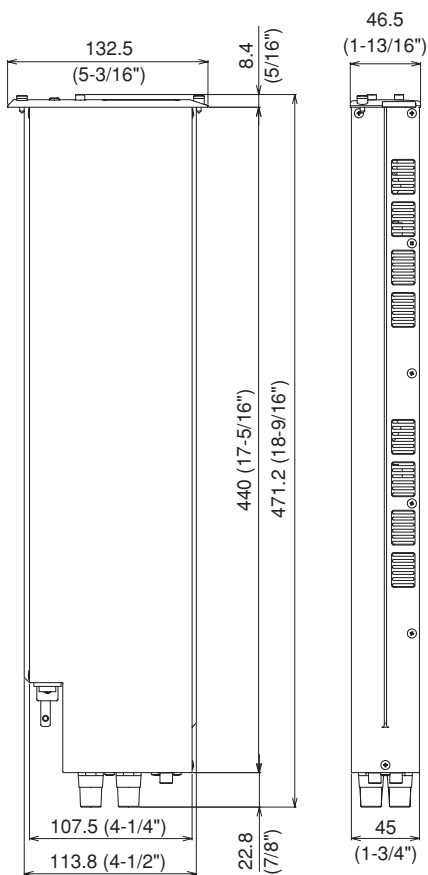
Never use liquids such as benzene, thinners, etc., chemically treated cloths, and do not spray any aerosol type insecticides on the amplifier. Clean the case using only a soft, dry cloth.

If the amplifier becomes soiled, mix a solution of water and a neutral detergent then dampen a soft cloth in the solution, wring out as much of the solution as possible, and clean the amplifier. Then use a soft, dry cloth to wipe the surface dry.

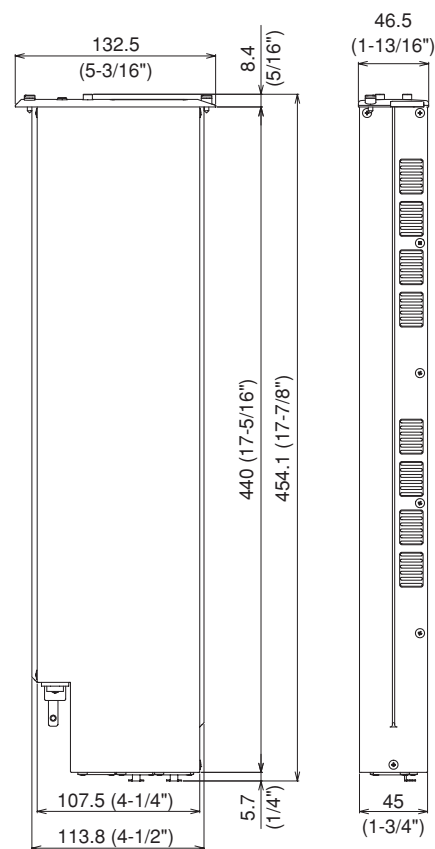


6 Dimensions

● HT type



● BI type



unit: mm (")

7 Specifications

	HT Type	BI Type
Rated Output	100W (8Ω) x2	160W (4Ω) x2
Frequency Response	5Hz~50kHz (8Ω / +0,-3dB)	
Total Harmonic Distortion	0.03% (8Ω / 1kHz 50W output)	
S/N Ratio	120dB (400Hz~30kHz BPF)	
Residual Noise	25μV (400Hz~30kHz BPF)	
Input Sensitivity	1Vrms	2Vrms
Input Impedance	10kΩ (maximum level)	47kΩ
Input	RCA (Unbalanced)	XLR (Balanced)
SP Output	Binding Post	SPEAKON
AC Power Connection	Supplied via DPA-M1600 (AC Outlet)	
Volume Control Range	0 ~ -30dB	
Power Consumption	2ch : 45W / 8Ω, 65W / 4Ω	
Power Supply	AC 120V 60Hz (U.S.A. & Canadian model) / AC 230V 50Hz (European model) Other areas : Mentioned on side of module.	
Operating Conditions	0°C ~ 40°C	
Max. Dimensions	1-13/16"(W) x 5-3/16"(H) x 18-9/16"(D)	1-13/16"(W) x 5-3/16"(H) x 17-7/8"(D)
(main unit) inch / mm	46.5(W) x 132.5(H) x 471.2(D) mm	46.5(W) x 132.5(H) x 454.1(D) mm
Weight	1.4kg (3.08lbs)	

* Specifications and/or product design are subject to change without notice due to product improvement.

8 Limited Warranty

Warranty period is shown by distributor in your market.

In case defects occur during this period not due to mishandling modification or shipping damage due to improper packing is used for transportation.

Please send the product together with proof of purchase to the dealer where you had purchased or to the following address if it is shown.